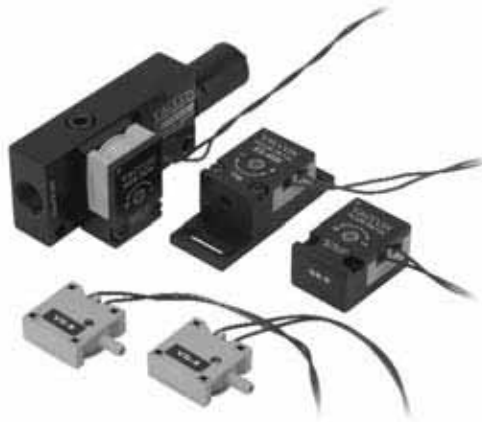


Adjustable Mechanical Vacuum Switch

VS-4 & 5 Series, SX-4 & 5 Series, SX-4 & 5SB Series



Ideal Applications:

- Robotic applications
- Assembly applications
- Control applications
- Monitoring applications

Features/Benefits:

- Accurate and reliable repeatability – utilizes low stress deflecting contacts
- Compact and lightweight – operates in any position
- Economical – diaphragm operated – long life
- Easy to install – 12" flying leads, 24 AWG

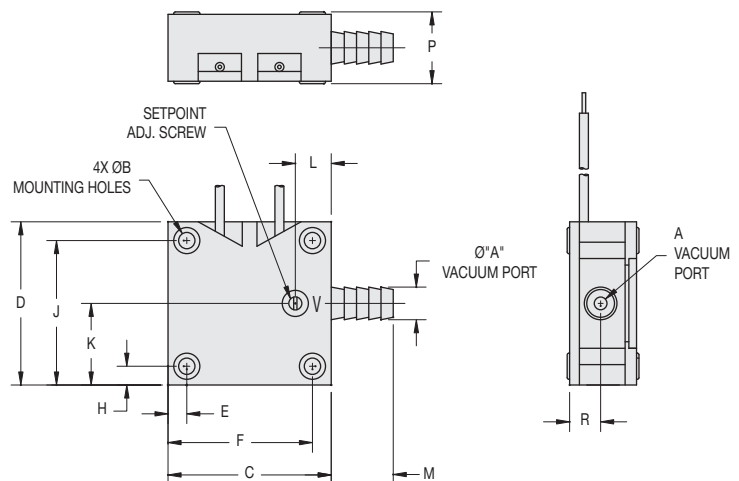
Vacuum Switches:

Vaccon vacuum switches are ideal in automated systems to generate a low current electrical signal for input to a PLC or other logic controllers. The adjustable switches are normally open, diaphragm operated, and contain low-stress deflecting contacts instead of sliding or pivoting parts for high reliability and long life.

Switch Options:

- Housings for ease of mounting on vacuum pumps
- Sub base for ease of installation on non-Vaccon vacuum pumps
- Spade connectors
- 2 vacuum level ranges: VS-4, SX-4, SX-4SB - 2"-14"Hg [68-474mbar] and VS-5, SX-5, SX-5SB - 7.4"-29.7"Hg [251mbar - 1 Bar]

Adjustable Mechanical Vacuum Switch: VS-4 & VS-5

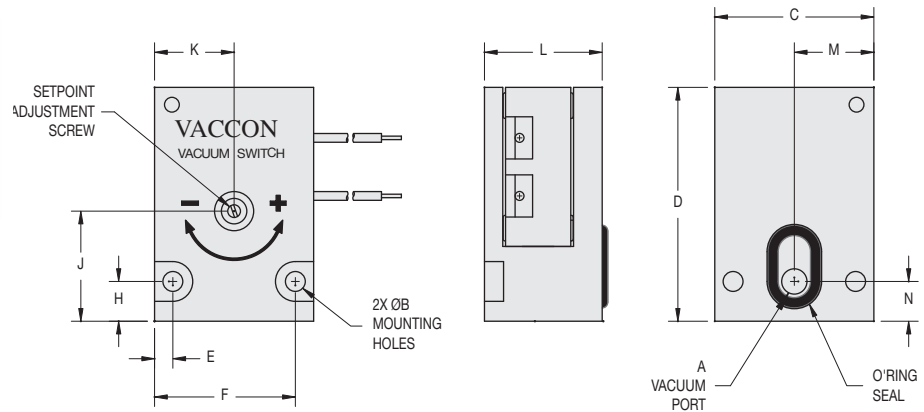


Model #	Dimensions																Weight	Lead Length
	A	B	C	D	E	F	H	J	K	L	M	N	P	R	S			
VS-4 or VS-5	in.	0.22	0.10	1.00	1.00	0.12	0.77	0.12	0.77	0.50	0.22	0.38	N/A	0.44	0.20	0.50	0.5 oz	12
	mm	0.22	2.5	25.4	25.4	3.0	19.6	3.0	19.6	12.7	5.6	9.7	N/A	11.2	5.1	12.7	14 g	305

Adjustable Mechanical Vacuum Switch: SX-4 & SX-5 (Switch with housing)



SX-5 Switch with housing

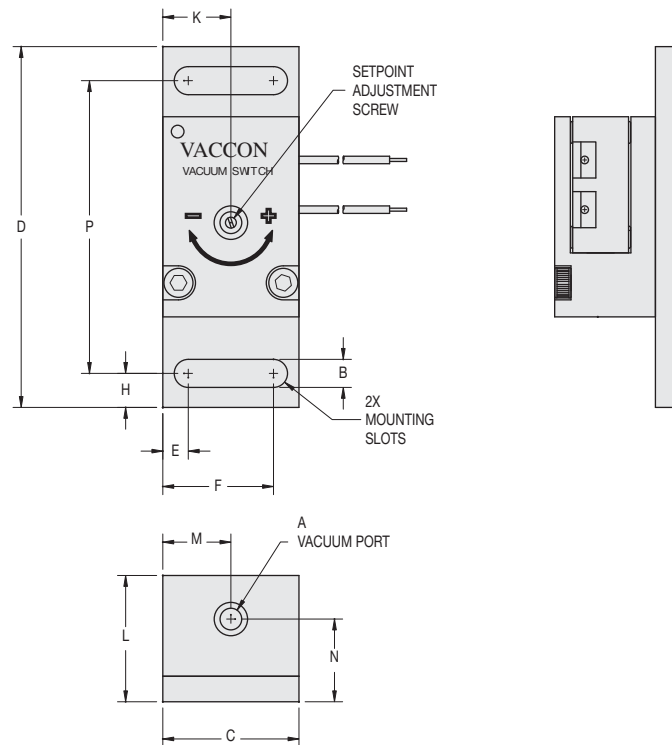


Model #	Dimensions													Weight	Lead Length
		A	B	C	D	E	F	H	J	K	L	M	N		
SX-4 or SX-5	in.	10-32 F	0.13	1.00	1.47	0.12	0.89	0.25	0.69	0.50	0.74	0.50	0.25	1.5 oz	12
	mm	10-32 F	3.3	25.4	37.3	3.0	22.6	6.4	17.5	12.7	18.8	12.7	6.4	43 g	305

Adjustable Mechanical Vacuum Switch: SX-4SB & SX-5SB (Switch with housing and sub base)

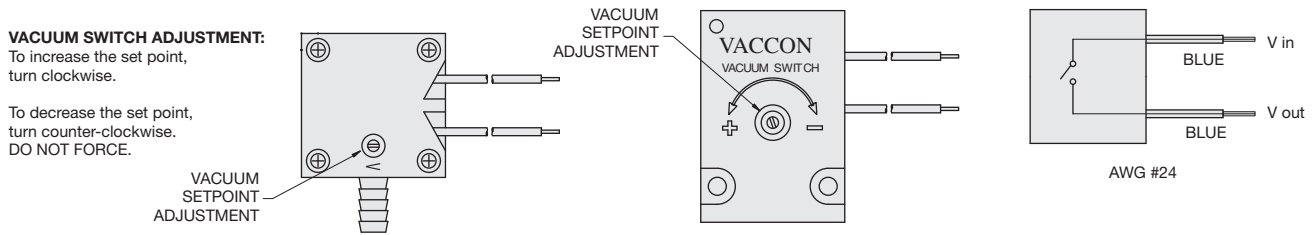


SX-4SB Switch with housing and sub base



Model #	Dimensions														Weight	Lead Length
		A	B	C	D	E	F	H	J	K	L	M	N	P		
SX4- SB or SX5-SB	in.	10-32 F	0.21	1.00	2.65	0.19	0.81	0.25	1.36	0.50	0.93	0.50	0.61	2.15	2.1 oz	12
	mm	10-32 F	5.3	25.4	67.3	4.8	20.6	6.4	34.5	12.7	23.6	12.7	15.5	54.6	60 g	305

Wiring Schematic for VS-4, VS-5, SX-4, SX-5, SX-4SB, SX-5SB



Important Notice For All VS-4, VS-5, SX-4, SX-5, SX-4SB, SX-5SB

1. The electrical current flows from one terminal through the rivet to the contact blade and from the other terminal through the rivet to the adjustment blade.
2. The adjustment screw is in contact with the diaphragm and is part of the electrical circuit.
3. To avoid potential shock, use an insulated screwdriver when making adjustments.

VS-4, VS-5, SX-4, SX-5, SX-4SB, SX-5SB Specifications:

Specifications	VS-4	VS-5	SX-4, SX-4SB	SX-5, SX-5SB
Rated Vacuum Range:	2" to 14.8" Hg [-68 to -500 mbar]	7.4" to 30" Hg [-250 to -1015 mbar]	2" to 14.8" Hg [-68 to -500 mbar]	7.4" to 30" Hg [-250 to -1015 mbar]
Proof Pressure:	N/A			
Burst Pressure:	25 PSI [1.7 bar]			
Media:	Non-Corrosive, Dry Gases			
Switch Type:	Differential Pressure, Mechanical Diaphragm			
Sensing/Switching Material:	Gold Plated, Phosphor Bronze			
Output:	SPST - NO			
Electrical Connection:	2 Wire - 24 AWG 1' [0.3M]			
Hysteresis:	0.5% Full Scale			
Max. Switch Voltage Load:	24 VDC/500 VAC			
Max. Switched Current Load:	20mA			
Display:	NONE			
Switch Indication:	NONE			
IP Protection:	NONE			
Operating Temperature:	-40°F to 250°F [-40°C to 120°C]			
Operating Humidity:	35 to 85% RH (No Condensation)			
Mechanical Life:	100,000,000 Cycles			
Construction:	GF Polyester/Polyurethane		GF Polyester/Polyurethane/Anodized Aluminum	
Fitting/Connection:	3/16" Barb		10-32 Female, Face Seal mount	
Weight:	0.5 oz [14g]		SX-4 & 5 – 1.5 oz [43g], SX-4 & 5SB – 2 oz [57g]	
Safety and Environmental Compliance:	RoHS			

How to Specify:

For switch only: Order by model number, i.e. **SX-5**

For factory-installed switch on Vaccon pump: Order Vaccon pump number and switch number, i.e., **VP20-150M-SX-4**.

For Spade switch: Order by model number with (-Spade) extension i.e. **VS-4-Spade**