



# Lead Free\* Model PRH-LF

## PRESSURE REDUCING VALVE (36HLF Series)

Job Name:	Contractor:
Job Location:	P.O. Number:
Engineer:	Representative:
Tag:	Wholesale Distributor:

### DESCRIPTION

The Apollo® Lead Free\* Pressure Reducing Valve PRH (36HLF Series) is designed for commercial, industrial, and institutional applications to reduce incoming water pressure for protection of plumbing system components and to reduce water consumption. The valve is made with proven ASTM grade bronze and stainless steel materials. The PRH provides high capacity flow with low pressure drop. It is designed with an integral by-pass relief to protect against thermal expansion downstream. The bottom access enables easy in-line cleaning or seat replacement.

### FEATURES

- Dezincification resistant Lead Free\* Bronze
- Sealed Spring Cage for Vault Installation
- Ultra-high Flow Capacity
- Internal Thermal Expansion By-pass
- Standard Factory Setting: 50 psi
- Three spring ranges cover 10 – 165 psi
- Stainless Steel Bolts and Spring
- 150 lb ANSI Flange Connection Option
- In-line strainer option
- **100% MADE IN THE USA**

### MATERIAL SPECIFICATIONS

Part Name	Material
Body/Cap	Bronze, UNS C89836
Bonnet	Bronze, ASTM B584
Diaphragm	FDA approved EPDM W/ Polyester
Seat disc	FDA approved EPDM
Yoke	Bronze, UNS C89836
Springs	Stainless Steel
O-Rings	FDA approved Nitrile

### APPROVALS:



1003



B356



### PERFORMANCE RATING

Maximum Operating Pressure up to 400 psig  
Temperature Range 33 °F – 180 °F

### OPTIONS

#### END CONNECTION

- T – Threaded
- F – ANSI 150# Flanges (2-1/2"-3" only)

#### ACCESSORIES

- Y – With Y-Strainer

#### PRESSURE ADJUSTMENT RANGE

Standard – 25–75 PSIG (set at 50)

- H – 75-125 PSIG (set at 100)
- L – 10–35 PSIG (set at 25)

#### SIZE

- 12 – 1/2"     114 – 1-1/4"     212 – 2-1/2"
- 34 – 3/4"     112 – 1-1/2"     3 – 3"
- 1 – 1"     2 – 2"

PRH-----LF

### ORDER NUMBER MATRIX

36H	CONNECTIONS:	SIZE	PRESSURE
	2 - NO UNION NPT	03 - 1/2"	1- 25-75 PSI RANGE
	7 - FLANGED	04 - 3/4"	2- 10-35 PSI RANGE
		05 - 1"	3- 75-125 PSI RANGE
		06 - 1-1/4"	
		07 - 1-1/2"	
		08 - 2"	
		09 - 2-1/2"	
		00 - 3"	

\*LEAD FREE: The wetted surfaces of this product shall contain no more than 0.25% lead by weighted average. Complies with CA AB 1953 and VT S.152. ANSI 3<sup>rd</sup> party approved and listed.

Conbraco Industries, Inc. 701 Matthews Mint Hill Rd. Matthews NC 28106 USA; [www.apollovalves.com](http://www.apollovalves.com) ; 704-841-6000

This specification is provided for reference only. Conbraco reserves the right to change any portion of this specification without notice and without incurring obligation to make such changes to Conbraco products previously or subsequently sold.



# Lead Free\*

## Model PRH-LF

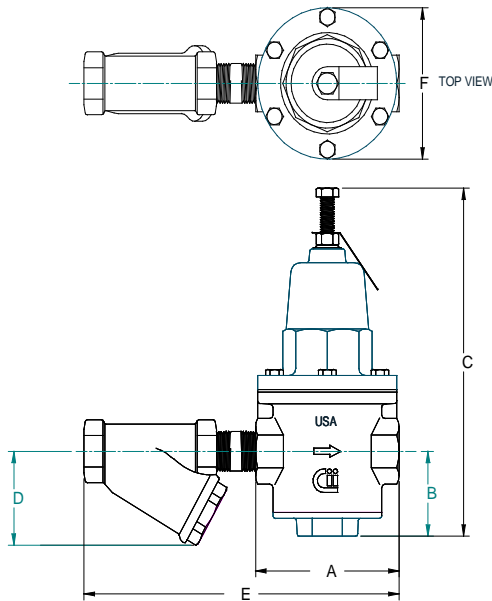
### PRESSURE REDUCING VALVE

(36HLF Series)

#### DIMENSIONS (in.) – WEIGHTS (lbs.)

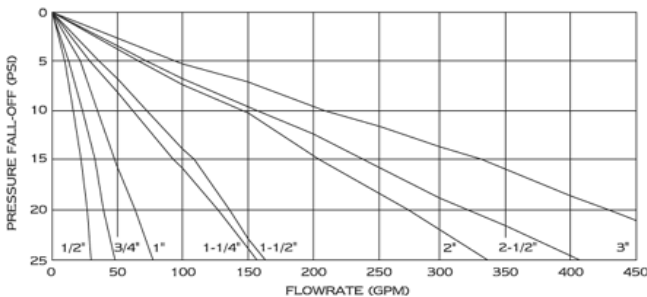
MODEL NUMBER	ITEM NUMBER	SIZE (in)	DIMENSIONS (IN.)						Wt. W/STRAINER (lbs. EA)	Wt. W/O STRAINER (lbs. EA)
			A	B	C	D	E	F		
PRH	36H-213	1/2	4.12	2.25	9.25	1.87	8.37	4.00	7.00	6.0
PRH	36H-214	3/4	4.12	2.25	9.25	2.44	9.00	4.00	8.00	6.0
PRH	36H-215	1	4.82	2.31	9.81	4.00	10.25	4.70	12.00	8.0
PRH	36H-216	1 1/4	6.19	3.19	13.20	3.37	12.50	6.50	29.00	24.0
PRH	36H-217	1 1/2	6.75	3.19	13.20	3.87	13.13	6.50	29.00	23.0
PRH	36H-218	2	8.12	3.50	16.00	4.63	16.00	7.63	47.00	38.0
PRH	36H-219	2 1/2	8.12	3.50	16.00	6.00	17.70	7.63	49.00	37.0
PRH	36H-210	3	10.37	4.00	19.12	7.00	20.50	9.75	87.00	70.0
<b>FLANGED</b>										
PRH	36H-708	2	10.37	3.50	16.00	6.25	20.00	7.63	79.00	50.0
PRH	36H-709	2 1/2	10.37	3.50	16.00	7.12	21.70	7.63	105.00	55.0
PRH	36H-700	3	12.50	4.00	19.12	8.12	24.50	9.75	132.00	104.0

\* Nominal dimensions are shown. Allowances must be made for manufacturers' tolerances.



PIPE SIZE	FALL-OFF (PSI)	PRESSURE DIFFERENTIAL (PSI)		
		25	50	75
1/2"	5	8.5	10	11.5
	10	13.6	16	18.4
	15	17.9	21	24.2
	20	21.3	25	28.8
3/4"	5	10.6	12.5	14.4
	10	20.4	24.0	27.6
	15	28.1	33.0	38.0
	20	34.0	40.0	46.0
1"	5	17.0	20.0	23.0
	10	29.8	35.0	40.3
	15	40.8	48.0	55.2
	20	51.0	60.0	69.0
1-1/4"	5	21.3	25.0	28.8
	10	51.9	61.0	70.2
	15	80.8	95.0	109.3
	20	106.3	125.0	143.8
1-1/2"	5	29.8	35.0	40.3
	10	61.5	72.3	83.1
	15	90.1	106.0	121.9
	20	113.1	133.0	153.0
2"	5	55.3	65.0	74.8
	10	126.7	149.0	171.4
	15	174.3	205.0	235.8
	20	231.2	272.0	312.8
2-1/2"	5	58.7	69.0	79.4
	10	132.6	156.0	179.4
	15	200.6	236.0	271.4
	20	271.2	319.0	366.9
3"	5	80.8	95.0	109.3
	10	176.0	207.0	238.1
	15	282.5	332.4	382.3
	20	365.5	430.0	494.5

**PRH Series PRV Flow Rate vs. Pressure Fall-Off**



Note: Flow curves are based on static conditions of 100 psi inlet pressure and 50 psi outlet pressure.  
 Pressure Fall-off is the decrease in downstream regulated pressure when the flow increases.

Conbraco Industries, Inc. 701 Matthews Mint Hill Rd. Matthews NC 28106 USA; [www.apollovalves.com](http://www.apollovalves.com) ; 704-841-6000

This specification is provided for reference only. Conbraco reserves the right to change any portion of this specification without notice and without incurring obligation to make such changes to Conbraco products previously or subsequently sold.