



Model PRH HIGH CAPACITY PRESSURE REDUCING VALVE (36H SERIES)

Job Name:	Contractor:
Job Location:	P.O. Number:
Engineer:	Representative:
Tag:	Wholesale Distributor:

DESCRIPTION

The Apollo® PRH (36H Series) Pressure Reducing Valves are designed for commercial, industrial, and institutional applications to reduce incoming water pressure for protection of plumbing system components and to reduce water consumption. The valves are made with proven ASTM grade bronze and stainless steel materials. The PRH provides high capacity flow with low pressure drop. It is designed with an integral by-pass relief to protect against thermal expansion downstream. The bottom access enables easy in-line cleaning or seat replacement.



FEATURES

- Sealed Spring Cage for Vault Installation
- Ultra-high Flow Capacity
- Internal Thermal Expansion By-pass
- Local Code Approvals
- Standard Factory Setting: 50 psi
- Three spring ranges cover 10 – 165 psi
- Stainless Steel Bolts and Spring
- 150 lb ANSI Flange Connection Option
- In-line strainer option
- **100% MADE IN THE USA**

MATERIAL SPECIFICATIONS

Part Name	Material
Body	Bronze, ASTM B584
Bonnet/Cap	Bronze, ASTM B584
Diaphragm	FDA approved EPDM W/ Polyester
Seat disc	FDA approved EPDM
Yoke	Bronze, ASTM B-16
Springs	Stainless Steel
O-Rings	FDA approved Nitrile

PERFORMANCE RATING

Maximum Operating Pressure up to 400 psig
Temperature Range 33 °F – 180 °F

OPTIONS

END CONNECTION

- T – Threaded
- F – ANSI 150# Flanges (2-1/2"-3" only)

ACCESSORIES

- Y – With Y-Strainer

PRESSURE ADJUSTMENT RANGE

Standard – 25–75 PSIG (set at 50)

- H – 75-125 PSIG (set at 100)
- L – 10–35 PSIG (set at 25)

SIZE

- | | | |
|------------------------------------|---------------------------------------|---------------------------------------|
| <input type="checkbox"/> 12 – 1/2" | <input type="checkbox"/> 114 – 1-1/4" | <input type="checkbox"/> 212 – 2-1/2" |
| <input type="checkbox"/> 34 – 3/4" | <input type="checkbox"/> 112 – 1-1/2" | <input type="checkbox"/> 3 – 3" |
| <input type="checkbox"/> 1 – 1" | <input type="checkbox"/> 2 – 2" | |

PRH- - - -

APPROVALS:



36H	CONNECTIONS:	SIZE	PRESSURE
	2 - NO UNION NPT	03 - 1/2"	1- 25-75 PSI RANGE
	7 - FLANGED	04 - 3/4"	2- 10-35 PSI RANGE
		05 - 1"	3- 75-125 PSI RANGE
		06 - 1-1/4"	
		07 - 1-1/2"	
		08 - 2"	
		09 - 2-1/2"	
		00 - 3"	

DIMENSIONS (in.) – WEIGHTS (lbs.)

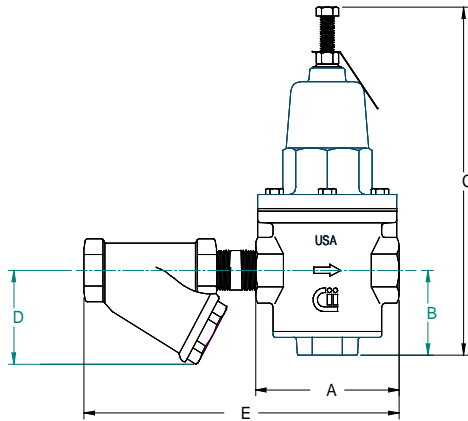
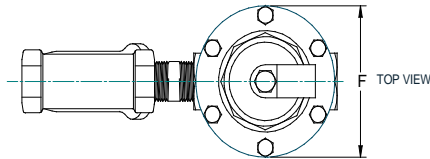
Conbraco Industries, Inc. 701 Matthews Mint Hill Rd. Matthews NC 28106 USA; www.apollovalves.com; 704-841-6000

This specification is provided for reference only. Conbraco reserves the right to change any portion of this specification without notice and without incurring obligation to make such changes to Conbraco products previously or subsequently sold.

Model PRH HIGH CAPACITY PRESSURE REDUCING VALVE (36H SERIES)

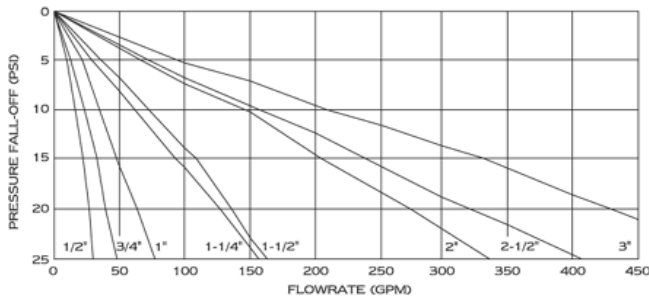
MODEL NUMBER	ITEM NUMBER	SIZE (in)	DIMENSIONS (IN.)						Wt. W/STRAINER (lbs. EA)	Wt. W/O STRAINER (lbs. EA)
			A	B	C	D	E	F		
PRH	36H-213	1/2	4.12	2.25	9.25	1.87	8.37	4.00	7.00	6.0
PRH	36H-214	3/4	4.12	2.25	9.25	2.44	9.00	4.00	8.00	6.0
PRH	36H-215	1	4.82	2.31	9.81	4.00	10.25	4.70	12.00	8.0
PRH	36H-216	1 1/4	6.19	3.19	13.20	3.37	12.50	6.50	29.00	24.0
PRH	36H-217	1 1/2	6.75	3.19	13.20	3.87	13.13	6.50	29.00	23.0
PRH	36H-218	2	8.12	3.50	16.00	4.63	16.00	7.63	47.00	38.0
PRH	36H-219	2 1/2	8.12	3.50	16.00	6.00	17.70	7.63	49.00	37.0
PRH	36H-210	3	10.37	4.00	19.12	7.00	20.50	9.75	87.00	70.0
FLANGED										
PRH	36H-708	2	10.37	3.50	16.00	6.25	20.00	7.63	79.00	50.0
PRH	36H-709	2 1/2	10.37	3.50	16.00	7.12	21.70	7.63	105.00	55.0
PRH	36H-700	3	12.50	4.00	19.12	8.12	24.50	9.75	132.00	104.0

*Nominal dimensions are shown. Allowances must be made for manufacturers' tolerances.



36 SERIES WATER CAPACITY (GPM)				
PIPE SIZE	FALL-OFF (PSI)	PRESSURE DIFFERENTIAL (PSI)		
		25	50	75
1/2"	5	8.5	10	11.5
	10	13.6	16	18.4
	15	17.9	21	24.2
	20	21.3	25	28.8
3/4"	5	10.6	12.5	14.4
	10	20.4	24.0	27.6
	15	28.1	33.0	38.0
	20	34.0	40.0	46.0
1"	5	17.0	20.0	23.0
	10	29.8	35.0	40.3
	15	40.8	48.0	55.2
	20	51.0	60.0	69.0
1-1/4"	5	21.3	25.0	28.8
	10	51.9	61.0	70.2
	15	80.8	95.0	109.3
	20	106.3	125.0	143.8
1-1/2"	5	29.8	35.0	40.3
	10	61.5	72.3	83.1
	15	90.1	106.0	121.9
	20	113.1	133.0	153.0
2"	5	55.3	65.0	74.8
	10	126.7	149.0	171.4
	15	174.3	205.0	235.8
	20	231.2	272.0	312.8
2-1/2"	5	58.7	69.0	79.4
	10	132.6	156.0	179.4
	15	200.6	236.0	271.4
	20	271.2	319.0	366.9
3"	5	80.8	95.0	109.3
	10	176.0	207.0	238.1
	15	282.5	332.4	382.3
	20	365.5	430.0	494.5

PRH Series PRV Flow Rate vs. Pressure Fall-Off



Note: Flow curves are based on static conditions of 100 psi inlet pressure and 50 psi outlet pressure.
Pressure Fall-off is the decrease in downstream regulated pressure when the flow increases.