



Model PRC

PRESSURE REDUCING VALVE

(36C SERIES)

Job Name:	Contractor:
Job Location:	P.O. Number:
Engineer:	Representative:
Tag:	Wholesale Distributor:

DESCRIPTION

The Apollo® Model PRC (36C Series) Pressure Reducing Valves are designed to protect residential and commercial water distribution systems by automatically controlling excessive pressure changes. The valves integral thermoplastic cage provides maximum corrosion resistance. Designed for easy in-line servicing with bottom cleanout access to seat disc and strainer.

FEATURES

- Low Lead Option
- Balanced Piston Design
- Built-in Thermal Expansion By-Pass
- Easy Access to Seat Disc and Strainer
- Control Pressure Range 10-125 psi
- NPT, Solder, PEX, CPVC connections
- 100% Manufactured in USA

MATERIAL SPECIFICATIONS

Part Name	Material
Body	Bronze, ASTM B584
Tailpiece	Brass, ASTM B16
Screen	Stainless Steel
Cap	Glass Filled Celcon®
Diaphragm	FDA grade EPDM
Seat disc	FDA grade EPDM
Stem / Adjusting Screw	Brass, ASTM B-16
Spring	Music Wire ASTM 228
O-Rings	FDA grade Nitrile

PERFORMANCE RATING

Maximum Supply Pressure: 400 psig
 Std. Temperature Range 33°F – 180°F
 Maximum Set Pressure: 125psig

APPROVALS:



1003



B356



MODEL PRC

UNION

- BLANK – Single Union
- E – Extended Union
- D – Double Union
- T – No Union (Threaded Only)

GAUGE

- BLANK – No Gauge Port
- P – Plugged Gauge Port
- G – W/ Pressure Gauge

PRESSURE RANGE

- BLANK – 25–75 PSIG
- L – 10-35 PSIG
- H – 75-125 PSIG

MISCELLANEOUS OPTIONS

- A – Stainless Steel Trim

SIZE

- 12 = 1/2"
- 34 = 3/4"
- 1 = 1"

END CONNECTION

- BLANK –FNPT x FNPT

Single Union

- S - Solder x FNPT
- C – CPVC x FNPT
- X – PEX x FNPT
- M – METER X FNPT
- E – 90 ELBOW x FNPT

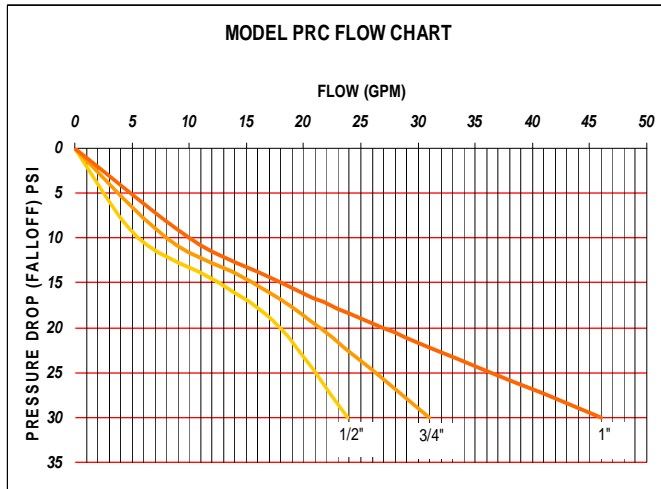
Double Union

- S – Solder x Solder
- C – CPVC x CPVC
- X – PEX x PEX
- B – BSPT x BSPT
- SC – Solder x CPVC
- SX – Solder x PEX
- CX – CPVC x PEX
- CE – CPVC x Elbow
- SE – Solder x Elbow

Conbraco Industries, Inc. 701 Matthews Mint Hill Rd. Matthews NC 28106 USA; www.apollovalves.com ; 704-841-6000

This specification is provided for reference only. Conbraco reserves the right to change any portion of this specification without notice and without incurring obligation to make such changes to Conbraco products previously or subsequently sold.

FLOW AND SIZING INFORMATION



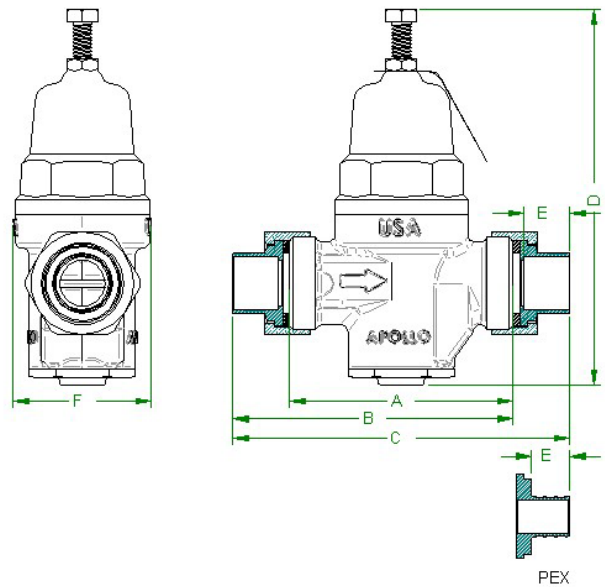
WATER CAPACITY (GPM)

PIPE SIZE	FALL-OFF (PSI)	PRESSURE DIFFERENTIAL (PSI)		
		25	50	75
1/2"	5	1.3	1.5	1.7
	10	4.7	5.5	6.3
	15	10.6	12.5	14.4
3/4"	5	2.1	2.5	2.9
	10	6.8	8	9.2
	15	13.2	15.5	17.8
1"	5	2.8	3.3	3.7
	10	8.5	10	11.5
	15	15.3	18	20.7

DIMENSIONAL INFORMATION

CONNECT TYPE	SIZE (in)	DIMENSIONS (IN.)						WT. (Union) (lbs. EA)
		A	B	C	D	E	F	
THREAD	1/2"	3-5/8	4-1/2	5-3/8	6	5/8	2-3/4	3.5
SOLDER	1/2"	3-5/8	4-1/2	5-1/2	6	1/2	2-3/4	3.4
PEX	1/2"	3-5/8	4-1/2	5-1/2	6	5/8	2-3/4	3.3
CPVC	1/2"	3-5/8	4-1/4	5	6	1/2	2-3/4	3.1
THREAD	3/4"	3-5/8	4-1/2	5-1/2	6	5/8	2-3/4	3.4
SOLDER	3/4"	3-5/8	4-1/2	5-1/2	6	3/4	2-3/4	3.3
PEX	3/4"	3-5/8	4-5/8	5-5/8	6	5/8	2-3/4	3.2
CPVC	3/4"	3-5/8	4-1/2	5-1/2	6	5/8	2-3/4	3
THREAD	1"	3-3/4	4-5/8	5-3/4	6	5/8	3-3/8	4.5
SOLDER	1"	3-3/4	4-5/8	5-3/4	6	7/8	3-3/8	4.4
PEX	1"	3-3/4	4-3/4	6	6	3/4	3-3/8	4.3

Nominal dimensions are shown. Allowances must be made for manufacturers' tolerances.



ORDER NUMBER MATRIX

--	--	--	--	--	--

36C	X CONNECTION	XX SIZE	X GAUGE	X PRESSURE	X OPTION
	1- SINGLE UNION NPT	03 - 1/2"	0 - W/O GAUGE	1- 25-75 PSI RANGE	C- CPVC TAILPIECE
	2- NO UNION NPT	04 - 3/4"	P - WITH GAUGE PORT PLUG	2- 10-35 PSI RANGE	S- STAINLESS TRIM
	3- SINGLE UNION SOLDER X NPT	05 - 1"	G- WITH GAUGE	3- 75-125 PSI RANGE	X- EXTENDED UNION
	4- DOUBLE UNION NPT				
	5- DOUBLE UNION SOLDER				
	6- SINGLE UNION METER				
	7- SINGLE UNION 90ELBOW METER				
	9- DOUBLE UNION PEX				

JUMP KIT

FOR USE DURING SYSTEM STARTUP AND OVERPRESSURIZATION

Kit Number	Size	Adapter
36C304JKF	3/4"	Threaded
36C305JKF	1"	Threaded
36C304JKS	3/4"	Solder
36C305JKS	1"	Solder
36C304JKC	3/4"	CPVC
36C305JKC	1"	CPVC



Conbraco Industries, Inc. 701 Matthews Mint Hill Rd. Matthews NC 28106 USA; www.apollovalves.com; 704-841-6000

This specification is provided for reference only. Conbraco reserves the right to change any portion of this specification without notice and without incurring obligation to make such changes to Conbraco products previously or subsequently sold.