



MODEL 711F

CLASS 125 GLOBE VALVE

OUTSIDE SCREW & YOKE

Job Name:	Contractor:
Job Location:	P.O. Number:
Engineer:	Representative:
Tag:	Wholesale Distributor:

Description

The Apollo Model 711F Flanged Cast Iron Globe valve provides efficient throttling capabilities. The Apollo Globe valve can reliably be installed in most plumbing and heating systems (or building service piping).

Features

- Compatible with ANSI 125# & 150# Flanges
- Full Port
- Bronze Mounted Seat Rings
- Positive Shut-off
- Throttling Capabilities
- Adjustable Graphite Stem Packing
- Outside Screw & Yoke
- Flanged Connection
- Bolted Bonnet
- Rugged Iron Hand Wheel
- Back Seat Protection



Standards

- MSS SP-85, "Gray Iron Globe & Angle Valves Flanged and Threaded Ends"
- ASME B16.10, "Face-to-Face and End-to-End Dimensions of Valves"

Performance Rating

Saturated Steam: 125 psi (8.6 Bar) to 353°F(178°C)
Cold Working Pressure: 200 psi (13.8 Bar) at 100°F
Temperature Range: -20°F to 406°F

Order Information

SIZE	PART NUMBER
□ 2"	6GB118B1
□ 2.5"	6GB119B1
□ 3"	6GB110B1
□ 4"	6GB11AB1
□ 5"	6GB11BB1
□ 6"	6GB11CB1
□ 8"	6GB11EB1
□ 10"	6GB11GB1

Material Specifications

NO.	PART	MATERIAL
1	BODY	CAST IRON (ASTM A 126 CL B)
2	GUIDE SPINDLE	BRASS (ASTM B16)
3	SEAT RING	CAST BRONZE (ASTM B62)
4	DISC SEAL RING	CAST BRONZE (ASTM B62)
5	DISC	CAST IRON (ASTM A 126 CL B)
6	SWIVEL NUT	CAST BRASS (ASTM B584)
7	STEM	BRASS (ASTM B16)
8	BOLTS	CARBON STEEL (ASTM A307 B)
9	GLAND FOLLOWER BOLTS	CARBON STEEL (ASTM A307 B)
10	BODY GASKET	GRAPHITE
11	BONNET	CAST IRON (ASTM A 126 CL B)
12	PACKING	GRAPHITE
13	PACKING GLAND	CAST BRASS (ASTM B584)
14	GLAND FOLLOWER	DUCTILE IRON (ASTM A536 65-45-12)
15	GLAND FOLLOWER NUT	CARBON STEEL (ASTM A307 B)
16	YOKE BUSHING	CAST BRONZE (ASTM B62)
17	SCREW	CARBON STEEL (ASTM A307 B)
18	HANDWHEEL	CAST IRON (ASTM A 126 CL B)
19	IDENTIFICATION PLATE	ALUMINIUM
20	WASHER	CARBON STEEL (ASTM A307 B)
21	HANDWHEEL NUT	DUCTILE IRON (ASTM A536 65-45-12)

Conbraco Industries, Inc. 701 Matthews Mint Hill Rd. Matthews NC 28105 USA ; www.apollovalves.com ; 704-841-6000

Conbraco Industries can accept no responsibility for possible errors in this document and reserves the right to alter its product design or construction without notice and without incurring any obligation to make such changes on Conbraco products previously or subsequently sold. All product specifications are approximate and are provided for reference only.

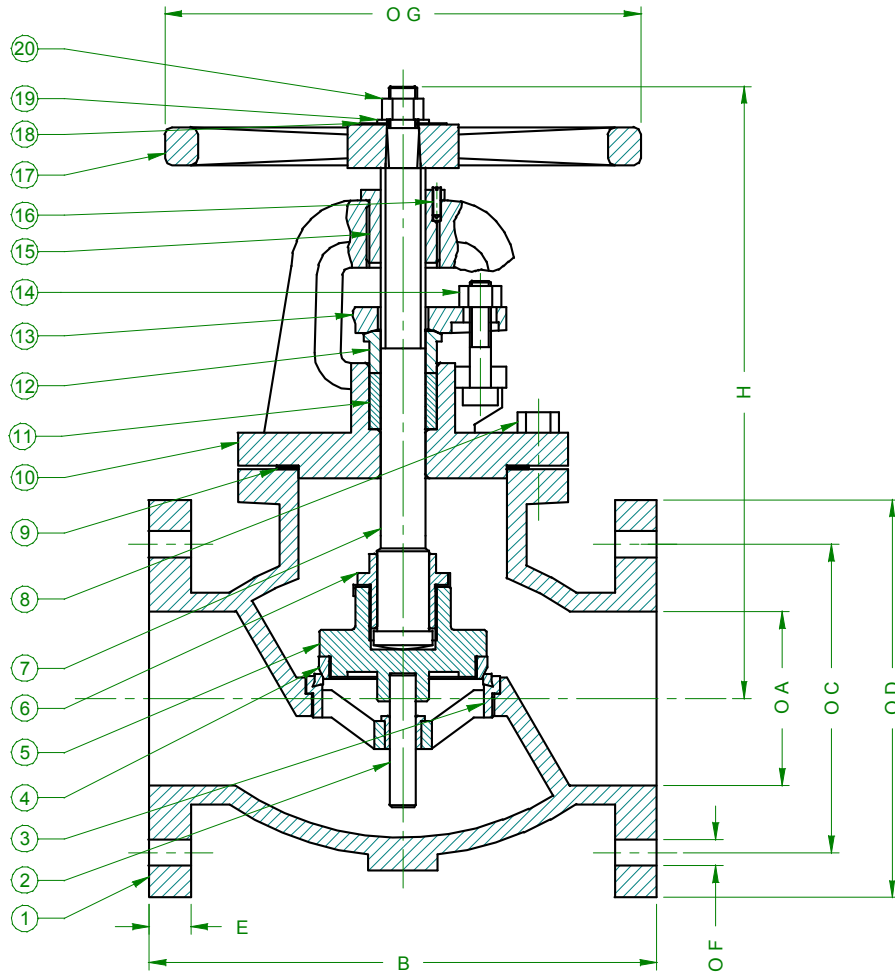


MODEL 711F

CLASS 125 GLOBE VALVE

OUTSIDE SCREW & YOKE

Job Name:	Contractor:
Job Location:	P.O. Number:
Engineer:	Representative:
Tag:	Wholesale Distributor:



SIZE	A	B	C	D	E	F	G	H (OPEN)	WT(LBS)
2"	2.00	8.00	4.76	6.00	0.62	0.75	7.00	11.61	36
2.5"	2.50	8.50	5.50	7.00	0.69	0.75	7.00	12.99	49
3"	3.00	9.50	6.00	7.50	0.75	0.75	8.00	14.37	64
4"	4.00	11.50	7.50	9.00	0.94	0.75	10.00	15.75	94
5"	5.00	13.00	8.50	10.00	0.94	0.88	12.00	17.72	137
6"	6.00	14.00	9.50	11.00	1.00	0.88	12.00	20.67	195
8"	8.00	19.50	11.75	13.50	1.12	0.88	14.00	23.43	315
10"	10.00	24.50	14.25	16.00	1.19	1.00	16.00	26.97	485

Conbraco Industries, Inc. 701 Matthews Mint Hill Rd. Matthews NC 28105 USA ; www.apollovalves.com ; 704-841-6000

Conbraco Industries can accept no responsibility for possible errors in this document and reserves the right to alter its product design or construction without notice and without incurring any obligation to make such changes on Conbraco products previously or subsequently sold. All product specifications are approximate and are provided for reference only.



MODEL 711F
CLASS 125 GLOBE VALVE
OUTSIDE SCREW & YOKE

Job Name:	Contractor:
Job Location:	P.O. Number:
Engineer:	Representative:
Tag:	Wholesale Distributor:

Conbraco Industries, Inc. 701 Matthews Mint Hill Rd. Matthews NC 28105 USA ; www.apollovalves.com ; 704-841-6000

Conbraco Industries can accept no responsibility for possible errors in this document and reserves the right to alter its product design or construction without notice and without incurring any obligation to make such changes on Conbraco products previously or subsequently sold. All product specifications are approximate and are provided for reference only.