



MODEL 611F

CLASS 125 GATE VALVE

OUTSIDE SCREW & YOKE

Job Name:	Contractor:
Job Location:	P.O. Number:
Engineer:	Representative:
Tag:	Wholesale Distributor:

Description

The Apollo Model 611F Flanged Cast Iron Gate valve provides full flow capabilities. The Apollo Gate valve can reliably be installed in most plumbing and heating systems (or building service piping).

Features

- Compatible with ANSI 125# & 150# Flanges
- Full Port
- Bronze Mounted Seat Rings
- Solid Wedge
- Adjustable Graphite Stem Packing
- Outside Screw & Yoke
- Flanged Connection
- Bolted Bonnet
- Rugged Iron Hand Wheel
- Back Seat Protection



Standards

- MSS SP-70, "Gray Iron Gate Valves Flanged and Threaded"
- ASME B16.10, "Face-to-Face and End-to-End Dimensions of Valves"

Performance Rating

Saturated Steam: 125 psi (8.6 Bar) to 353°F(178°C) (2"-12")
100 psi (6.9 Bar) to 338°F(170°C) (14"-24")

Cold Working Pressure: 200 psi (13.8 Bar) at 100°F (2"-12")
150 psi (10.3 Bar) at 100°F (14"-24")

Temperature Range: -20°F to 406°F

Order Information

SIZE	PART NUMBER
□ 2"	6GA118B1
□ 2.5"	6GA119B1
□ 3"	6GA110B1
□ 4"	6GA11AB1
□ 5"	6GA11BB1
□ 6"	6GA11CB1
□ 8"	6GA11EB1
□ 10"	6GA11GB1
□ 12"	6GA11HB1
□ 14"	6GA11JB1
□ 16"	6GA11KB1
□ 18"	6GA11MB1
□ 20"	6GA11NB1
□ 24"	6GA11PB1

Material Specifications

NO.	PART	MATERIAL
1	BODY	CAST IRON (ASTM A 126 CL B)
2	SEAT RINGS	CAST BRONZE (ASTM B62)
3	WEDGE FACE RINGS	CAST BRONZE (ASTM B62)
4	WEDGE	CAST IRON (ASTM A 126 CL B)
5	STEM	BRASS (ASTM B16)
6	BODY GASKET	GRAPHITE
7	BOLTS	CARBON STEEL (ASTM A307 B)
8	NUTS	CARBON STEEL (ASTM A307 B)
9	BONNET	CAST IRON (ASTM A 126 CL B)
10	BACK SEAT BUSHING	CAST BRONZE (ASTM B584)
11	PACKING	GRAPHITE
12	PACKING GLAND	CAST BRONZE (ASTM B584)
13	GLAND FOLLOWER BOLTS	CARBON STEEL (ASTM A307 B)
14	GLAND FOLLOWER NUTS	CARBON STEEL (ASTM A307 B)
15	GLAND FOLLOWER	DUCTILE IRON (ASTM A536 65-45-12)
16	YOKE BUSHING	CAST BRONZE (ASTM B62)
17	YOKE BUSHING NUT	CAST IRON (ASTM A 126 CL B)
18	SCREW	CARBON STEEL (ASTM A307 B)
19	HANDWHEEL	CAST IRON (ASTM A 126 CL B)
20	NAMEPLATE	ALUMINUM
21	HANDWHEEL NUT	DUCTILE IRON (ASTM A536 65-45-12)
22	YOKE	CAST IRON (ASTM A 126 CL B)

Conbraco Industries, Inc. 701 Matthews Mint Hill Rd. Matthews NC 28105 USA ; www.apollovalves.com ; 704-841-6000

Conbraco Industries can accept no responsibility for possible errors in this document and reserves the right to alter its product design or construction without notice and without incurring any obligation to make such changes on Conbraco products previously or subsequently sold. All product specifications are approximate and are provided for reference only.

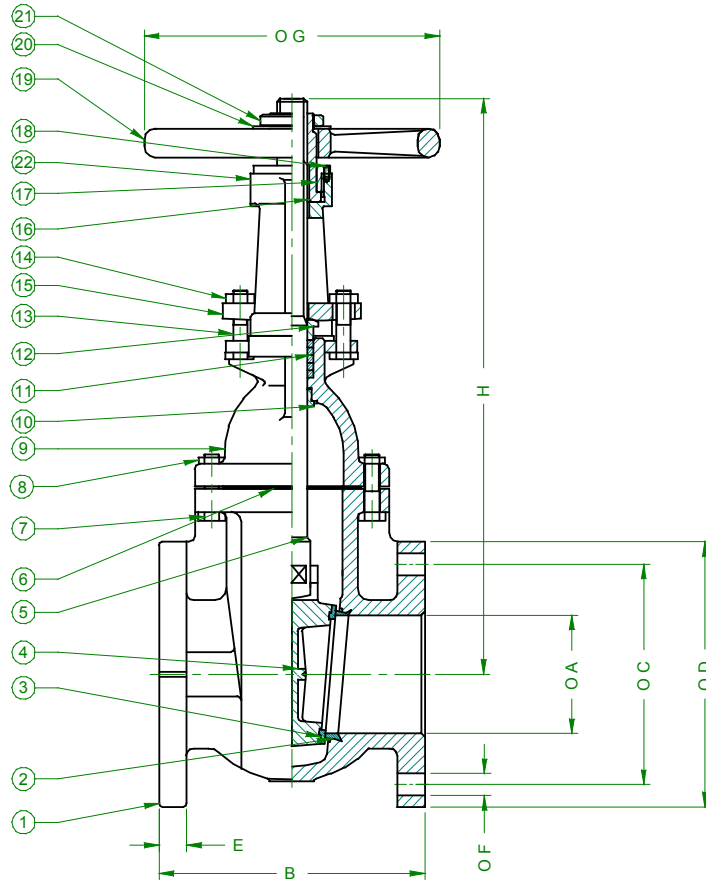


MODEL 611F

CLASS 125 GATE VALVE

OUTSIDE SCREW & YOKE

Job Name:	Contractor:
Job Location:	P.O. Number:
Engineer:	Representative:
Tag:	Wholesale Distributor:



Dimensions in Inches									
SIZE	A	B	C	D	E	F	G	H(OPEN)	WT(LBS)
2"	2.00	7.00	4.75	6.00	0.62	0.75	7	14.96	38
2.5"	2.50	7.50	5.50	7.00	0.69	0.75	7	16.93	51
3"	3.00	8.00	6.00	7.50	0.75	0.75	8	19.09	62
4"	4.00	9.00	7.50	9.00	0.94	0.75	10	24.21	110
5"	5.00	10.00	8.50	10.00	0.94	0.88	12	27.56	154
6"	6.00	10.50	9.50	11.00	1.00	0.88	12	32.87	203
8"	8.00	11.50	11.75	13.50	1.12	0.88	14	39.76	284
10"	10.00	13.00	14.25	16.00	1.19	1.00	16	48.03	459
12"	12.00	14.00	17.00	19.00	1.25	1.00	18	56.50	637
14"	14.00	15.00	18.75	20.98	1.38	1.14	20	65.16	966
16"	16.00	16.00	21.25	23.50	1.44	1.14	22	71.85	1135
18"	18.00	17.00	22.75	25.00	1.56	1.26	24	79.53	1753
20"	20.00	18.00	25.00	27.52	1.69	1.26	25	90.16	2238
24"	24.00	20.00	29.50	32.01	1.88	1.38	30	132.28	3197

Conbraco Industries, Inc. 701 Matthews Mint Hill Rd. Matthews NC 28105 USA ; www.apollovalves.com ; 704-841-6000

Conbraco Industries can accept no responsibility for possible errors in this document and reserves the right to alter its product design or construction without notice and without incurring any obligation to make such changes on Conbraco products previously or subsequently sold. All product specifications are approximate and are provided for reference only.