



# MODEL 610F

## CLASS 125 GATE VALVE

### NON-RISING STEM

<b>Job Name:</b>	<b>Contractor:</b>
<b>Job Location:</b>	<b>P.O. Number:</b>
<b>Engineer:</b>	<b>Representative:</b>
<b>Tag:</b>	<b>Wholesale Distributor:</b>

#### Description

The Apollo Model 610F Flanged Cast Iron Gate valve provides full flow capabilities. The Apollo Gate valve can reliably be installed in most plumbing and heating systems (or building service piping).

#### Features

- Compatible with ANSI 125# & 150# Flanges
- Full Port
- Bronze Mounted Seat Rings
- Solid Wedge
- Adjustable Graphite Stem Packing
- Non-Rising Stem
- Flanged Connection
- Bolted Bonnet
- Rugged Iron Hand Wheel
- Back Seat Protection



#### Standards

- MSS SP-70, "Gray Iron Gate Valves Flanged and Threaded"
- ASME B16.10, "Face-to-Face and End-to-End Dimensions of Valves"

#### Performance Rating

**Saturated Steam:** 125 psi (8.6 Bar) to 353°F(178°C) (2"-12")  
100 psi (6.9 Bar) to 338°F(170°C) (14"-24")

**Cold Working Pressure:** 200 psi (13.8 Bar) at 100°F (2"-12")  
150 psi (10.3 Bar) at 100°F (14"-24")

**Temperature Range:** -20°F to 406°F

#### Order Information

SIZE	PART NUMBER
□ 2"	6GA108B1
□ 2.5"	6GA109B1
□ 3"	6GA100B1
□ 4"	6GA10AB1
□ 5"	6GA10BB1
□ 6"	6GA10CB1
□ 8"	6GA10EB1
□ 10"	6GA10GB1
□ 12"	6GA10HB1
□ 14"	6GA10JB1
□ 16"	6GA10KB1
□ 18"	6GA10MB1
□ 20"	6GA10NB1
□ 24"	6GA10PB1

#### Material Specifications

NO.	PART	MATERIAL
1	BODY	CAST IRON (ASTM A 126 CL B)
2	SEAT RINGS	CAST BRONZE (ASTM B62)
3	WEDGE FACE RINGS	CAST BRONZE (ASTM B62)
4	WEDGE	CAST IRON (ASTM A 126 CL B)
5	WEDGE NUT	CAST BRONZE (ASTM B62)
6	STEM	BRASS (ASTM B16)
7	BODY GASKET	GRAPHITE
8	BOLTS	CARBON STEEL (ASTM A307 B)
9	NUTS	CARBON STEEL (ASTM A307 B)
10	BONNET	CAST IRON (ASTM A 126 CL B)
11	GLAND FOLLOWER BOLTS	CARBON STEEL (ASTM A307 B)
12	STUFFING BOX GASKETS	GRAPHITE
13	STUFFING BOX	CAST IRON (ASTM A 126 CL B)
14	PACKING	GRAPHITE
15	GLAND FOLLOWER	DUCTILE IRON (ASTM A536 65-45-12)
16	PACKING GLAND	CAST BRONZE (ASTM B584)
17	HANDWHEEL	CAST IRON (ASTM A 126 CL B)
18	NAMEPLATE	ALUMINUM
19	WASHER	CARBON STEEL (ASTM A307 B)
20	HANDWHEEL NUT	DUCTILE IRON (ASTM A536 65-45-12)

Conbraco Industries, Inc. 701 Matthews Mint Hill Rd. Matthews NC 28105 USA ; [www.apollovalves.com](http://www.apollovalves.com) ; 704-841-6000

Conbraco Industries can accept no responsibility for possible errors in this document and reserves the right to alter its product design or construction without notice and without incurring any obligation to make such changes on Conbraco products previously or subsequently sold. All product specifications are approximate and are provided for reference only.

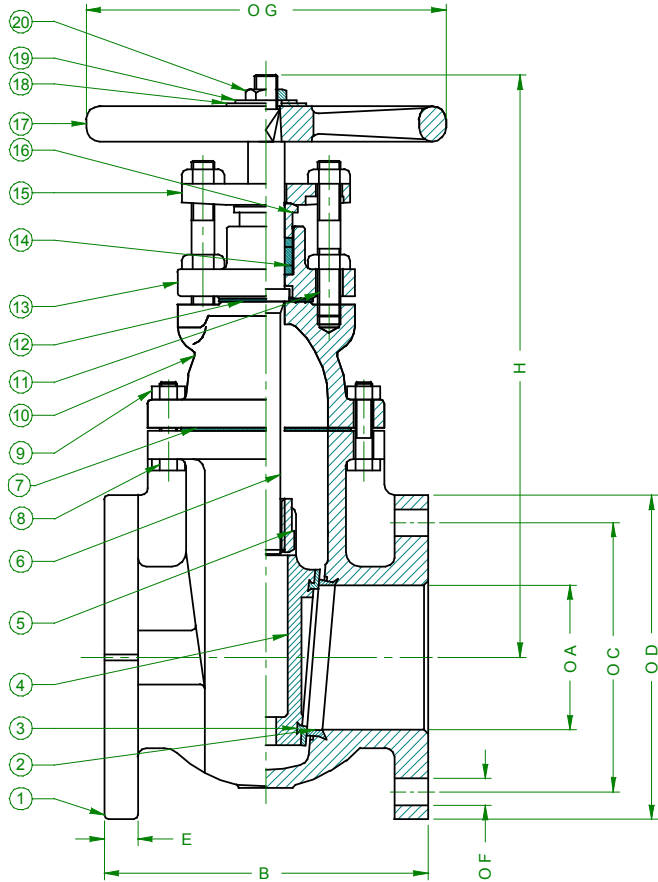


# MODEL 610F

## CLASS 125 GATE VALVE

### NON-RISING STEM

<b>Job Name:</b>	<b>Contractor:</b>
<b>Job Location:</b>	<b>P.O. Number:</b>
<b>Engineer:</b>	<b>Representative:</b>
<b>Tag:</b>	<b>Wholesale Distributor:</b>



SIZE	A	B	C	D	E	F	G	H(OPEN)	WT(LBS)
2"	2.00	7.00	4.75	6.00	0.62	0.75	7	14.57	36
2.5"	2.50	7.50	5.50	7.00	0.69	0.75	7	16.34	48
3"	3.00"	8.00	6.00	7.50	0.75	0.75	8	18.90	59
4"	4.00	9.00	7.50	9.00	0.94	0.75	10	20.67	104
5"	5.00	10.00	8.50	10.00	0.94	0.88	12	24.61	150
6"	6.00	10.50	9.50	11.00	1.00	0.88	12	28.74	192
8"	8.00	11.50	11.75	13.50	1.12	0.88	14	32.48	260
10"	10.00	13.00	14.25	16.00	1.19	1.00	16	37.40	434
12"	12.00	14.00	17.00	19.00	1.25	1.00	18	43.31	606
14"	14.00	15.00	18.75	21.00	1.38	1.14	20	37.01	926
16"	16.00	16.00	21.25	23.50	1.44	1.14	22	42.52	1098
18"	18.00	17.00	22.75	25.00	1.56	1.26	24	46.46	1543
20"	20.00	18.00	25.00	27.50	1.69	1.26	25	54.33	1638
24"	24.00	20.00	29.50	32.00	1.88	1.38	25	57.48	2756

Conbraco Industries, Inc. 701 Matthews Mint Hill Rd. Matthews NC 28105 USA ; [www.apollovalves.com](http://www.apollovalves.com) ; 704-841-6000

Conbraco Industries can accept no responsibility for possible errors in this document and reserves the right to alter its product design or construction without notice and without incurring any obligation to make such changes on Conbraco products previously or subsequently sold. All product specifications are approximate and are provided for reference only.